

NEW MANDOOR (MD NG) AND DOUBLE LEAF DOOR (2LD)

WITHOUT THERMAL BREAK

Dear customer

We would like to introduce to you new double leaf doors and stand-alone mandoor without thermal break. They substitute current solutions of mandoor and double leaf doors from June 2019 (aluminium frame with aluminium profiles, riveted from both sides).

The design of the mandoor and the double-leaf door brings a visual match with the sectional doors, a new clear view standard without rivets and modern design.

The big advantage is robust adjustable hinges and also the quality of the door frame fittings with the option of implementing a whole range of additional accessories.

Mandoors and double-leaf doors are designed from 45 mm aluminum



profiles and are filled with 40 mm door panels or aluminum glazed sections.

These products are recommended for non-tempered rooms.

These variants of mandoor and double-leaf doors are newly available with positioning behind the opening.

DOUBLE LEAF DOOR (2LD)

STANDARD CONFIGURATION

- Frame from ALU profiles 45 mm without thermal break
- Filling from door panels 40mm, filled with CFC free PUR foam with closed cells, or ALU sections with acrylate glazing (FVE)
- Possibility of inside/outside opening
- Maximum outer frame WIDTH 3000mm
- Maximum outer frame HEIGHT 3000mm
- Minimum outer frame WIDTH 1500mm
- Minimum outer width of one leaf 750mm
- Maximum outer width of one leaf 1500mm
- Surface finish ALU profiles: silver natural anodized profiles E6/EV1 (industrial quality)
- Whole-circuit double sealing
- Threshold height just 12mm
- Manual lock of side/fixed leaf

OPTIONS AND ACCESSORIES

Type	Installation	Opening direction	Handle in
2LD 01	in the opening/ behind the opening	outside	left door leaf
2LD 02	in the opening/ behind the opening	outside	right door leaf
2LD 03	in the opening/ behind the opening	inside	left door leaf
2LD 04	in the opening/ behind the opening	inside	right door leaf

Double leaf doors are produced according to EXTERNAL frame dimensions, threshold included (see attached drawings)

OPTIONS AND ACCESSORIES

- One side or double-sided profiles and panels painting acc. to RAL/NCS/BS
- Hinges painting
- Laminating the panels acc. to the sample book (PVC laminating foils)
- Windows from the standard range (frames painting available)
- Aluminum glazed sections (glazing acc. to standard offer / ALU frame painting possible)
- Knob/handle, panic lock, panic beam
- Three-point lock
 - Minimum outside frame height when mounting in the opening is 2050mm
 - Minimum outside frame height when mounting behind the opening is 2070mm
- Electric lock
- Vertically placed panels available

2LD INSIDE OPENING - INSTALLATION IN THE OPENING

W – Frame width / ordering dimension

CPW – Clear pass width

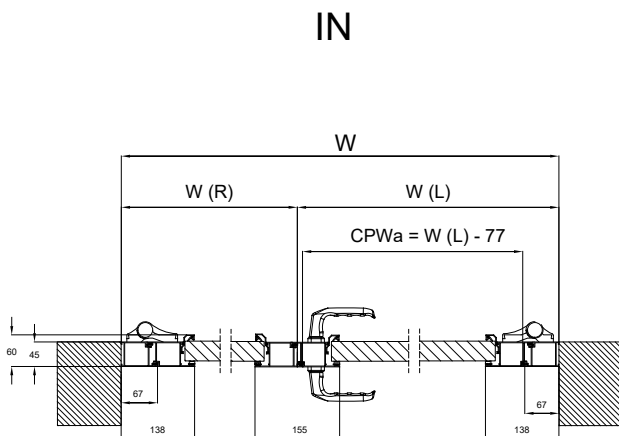
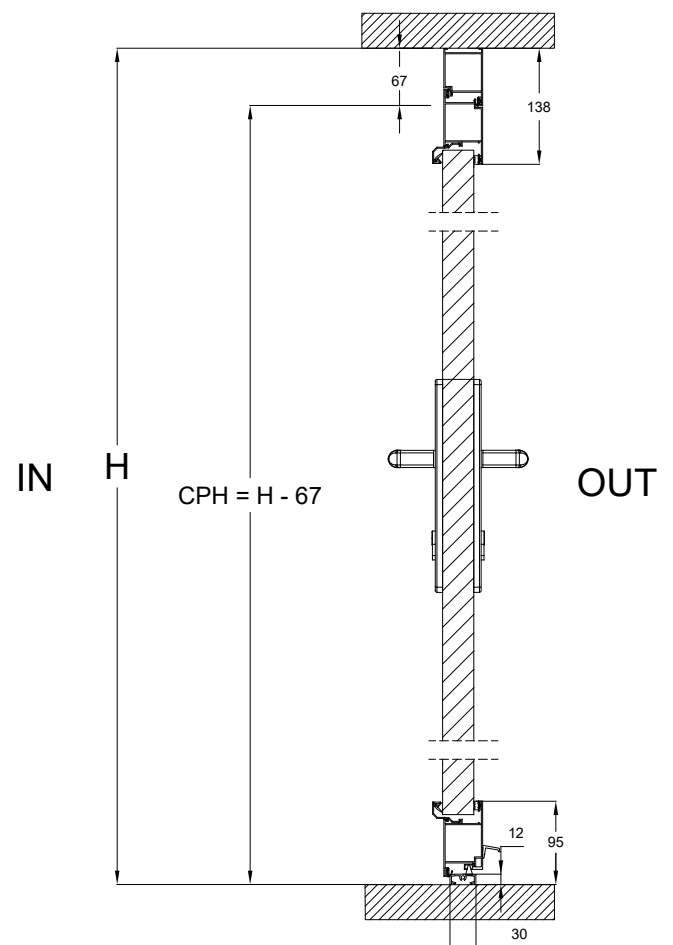
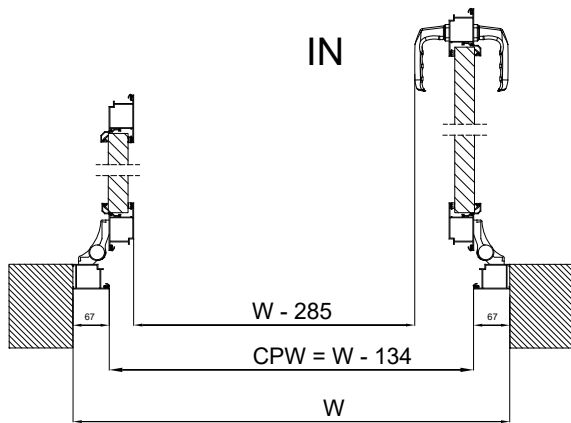
H – Frame height / ordering dimension

CPH – Clear pass height

CPWa – clear passage width of active leaf

W(L) – Width of left wing

W(R) – Width of right wing



OUT

2LD OUTSIDE OPENING - INSTALLATION IN THE OPENING

W – Frame width / ordering dimension

CPW – Clear pass width

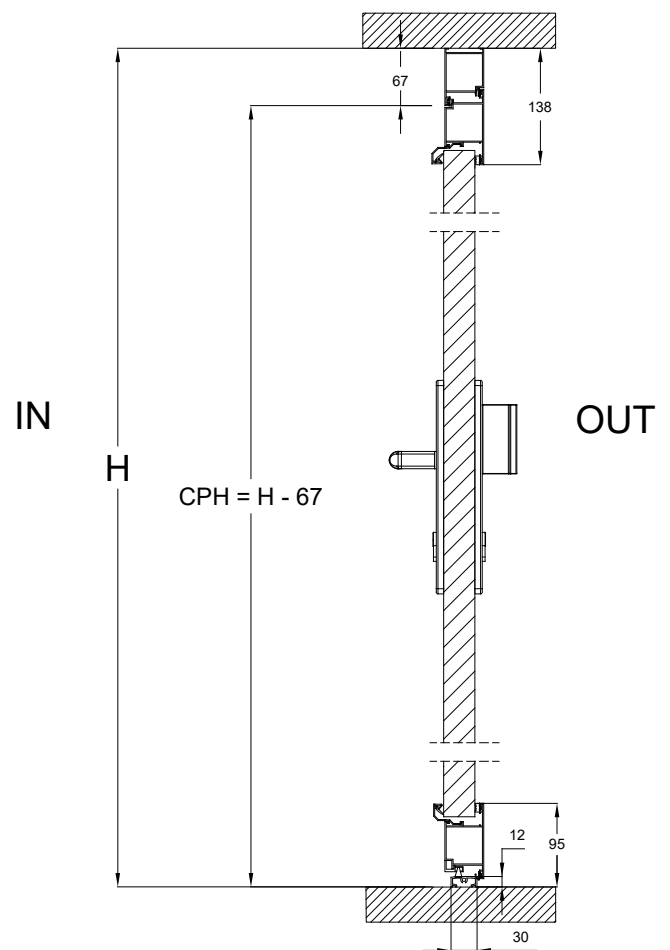
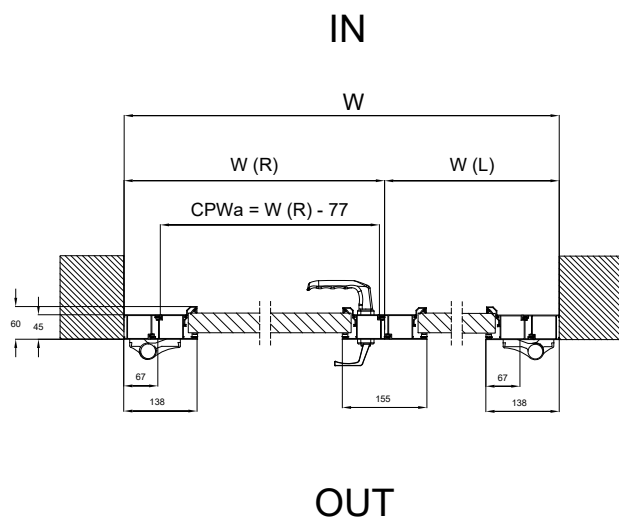
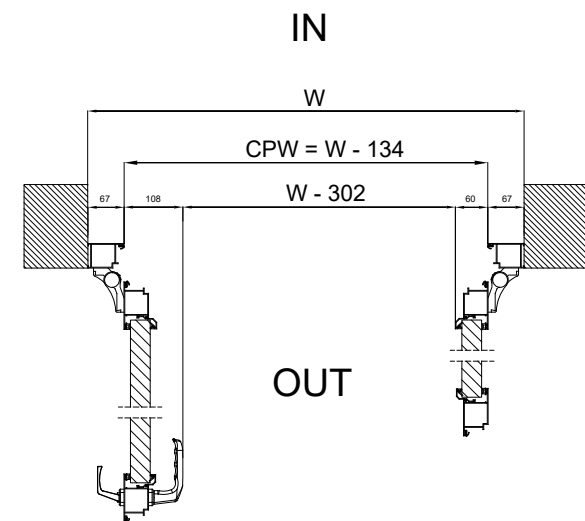
H - Frame height / ordering dimension

CPH - Clear pass height

CPWa - clear passage width of active leaf

W(L) – Width of left wing

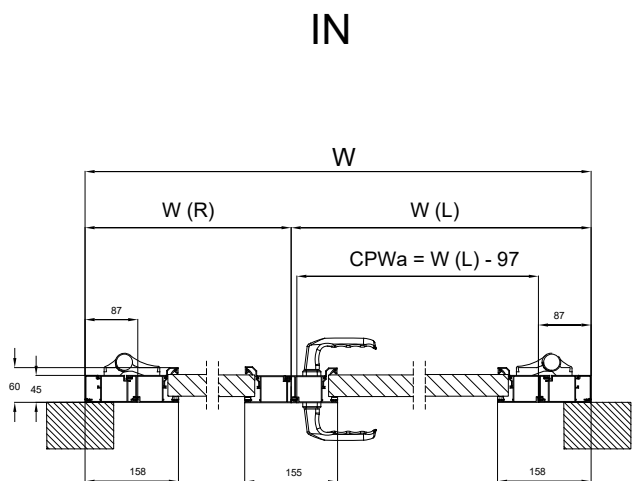
W(R) – Width of right wing



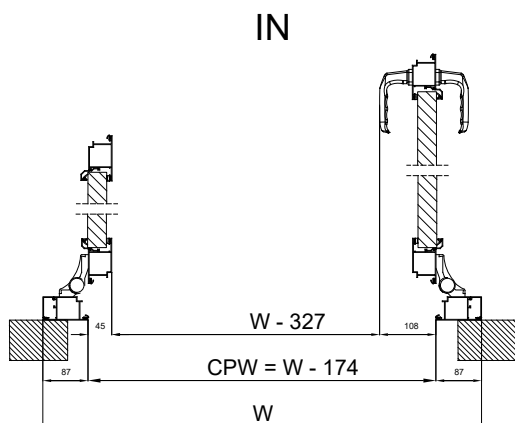
2LD INSIDE OPENING - INSTALLATION BEHIND THE OPENING

W – Frame width / ordering dimension
 H – Frame height / ordering dimension
 CPW – Clear pass width
 CPH – Clear pass height
 W(L) – Width of left wing

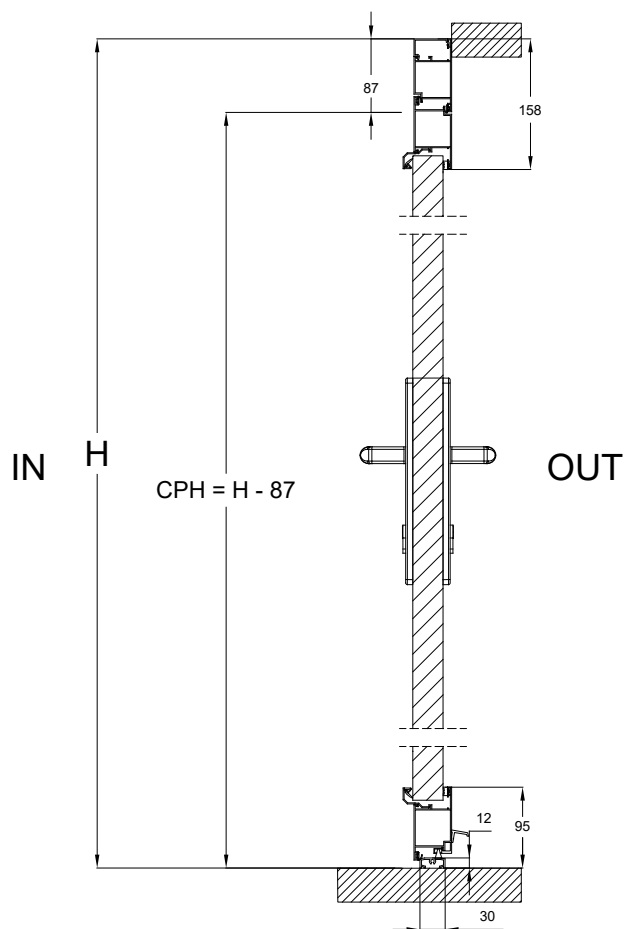
W(R) – Width of right wing
 P – passive leaf
 A – active leaf
 CPW_A – clear passage width of active leaf



OUT



OUT



2LD OUTSIDE OPENING - INSTALLATION BEHIND THE OPENING

W – Frame width / ordering dimension

H – Frame height / ordering dimension

CPW – Clear pass width

CPH – Clear pass height

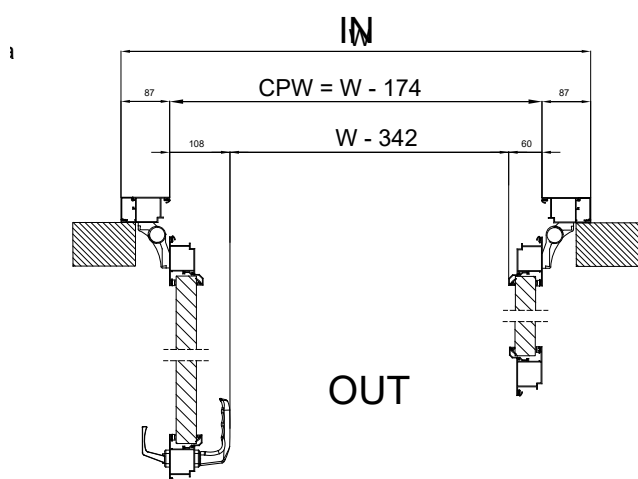
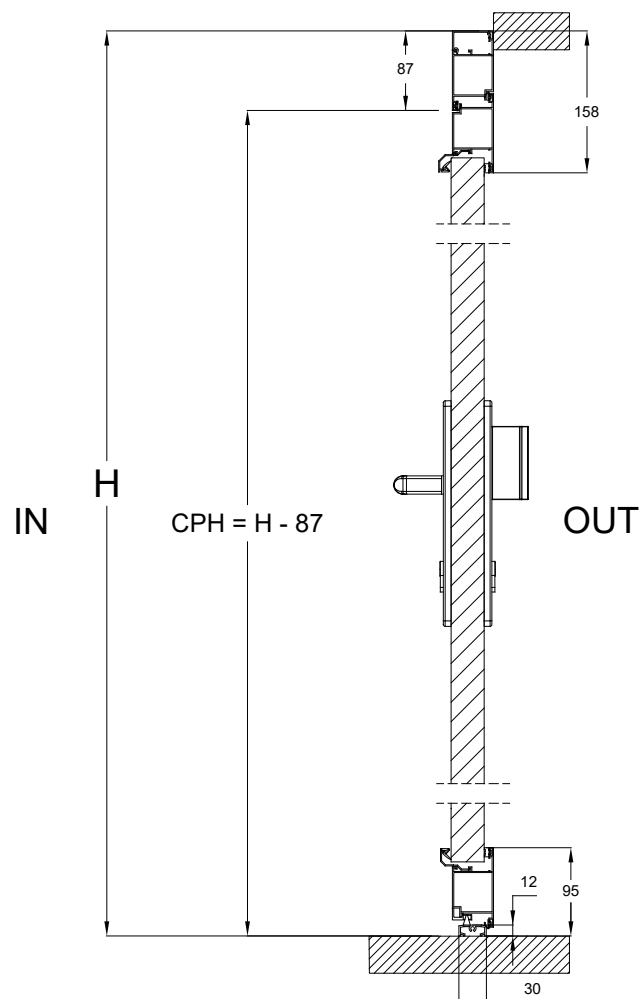
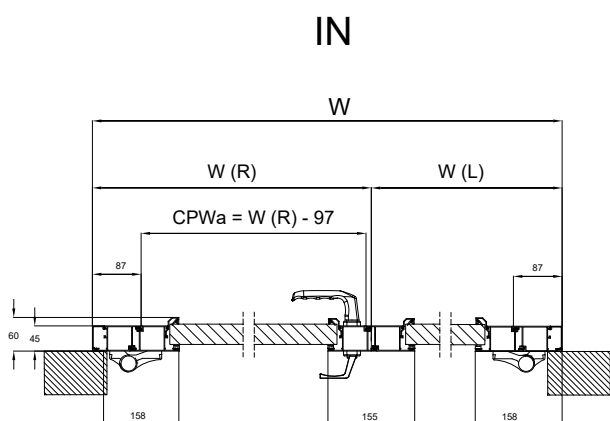
W(L) – Width of left wing

W(R) – Width of right wing

P – passive leaf

A – active leaf

CPW_A – clear passage width of active leaf



MANDOOR NG (MD NG)

STANDARD CONFIGURATION

- Frame from ALU profiles 45 mm without thermal break
- Filling from door panels 40mm, filled with CFC free PUR foam with closed cells, or ALU sections with acrylate glazing (FVE)
- Possibility of inside/outside opening
- Maximum outer frame WIDTH 3000mm
- Maximum outer frame HEIGHT 3000mm
- Minimum outer frame WIDTH 1500mm
- Minimum outer width of one leave 750mm
- Maximum outer width of one leave 1500mm
- Surface finish ALU profiles: silver natural anodized profiles E6/EV1 (industrial quality)
- Whole-circuit double sealing
- Threshold height just 12mm

OPTIONS AND ACCESSORIES

- One side or double-sided profiles and panels painting acc. to RAL/NCS/BS
- Hinges painting
- Laminating the panels acc. to the sample book (PVC laminating foils)
- Windows from the standard range (frames painting available)
- Aluminum glazed sections (glazing acc. to standard offer / ALU frame painting possible)
- Knob/handle, panic lock, panic beam
- Three-point lock
 - Minimum outside frame height when mounting in the opening is 2050mm
 - Minimum outside frame height when mounting behind the opening is 2070mm
- Electric lock

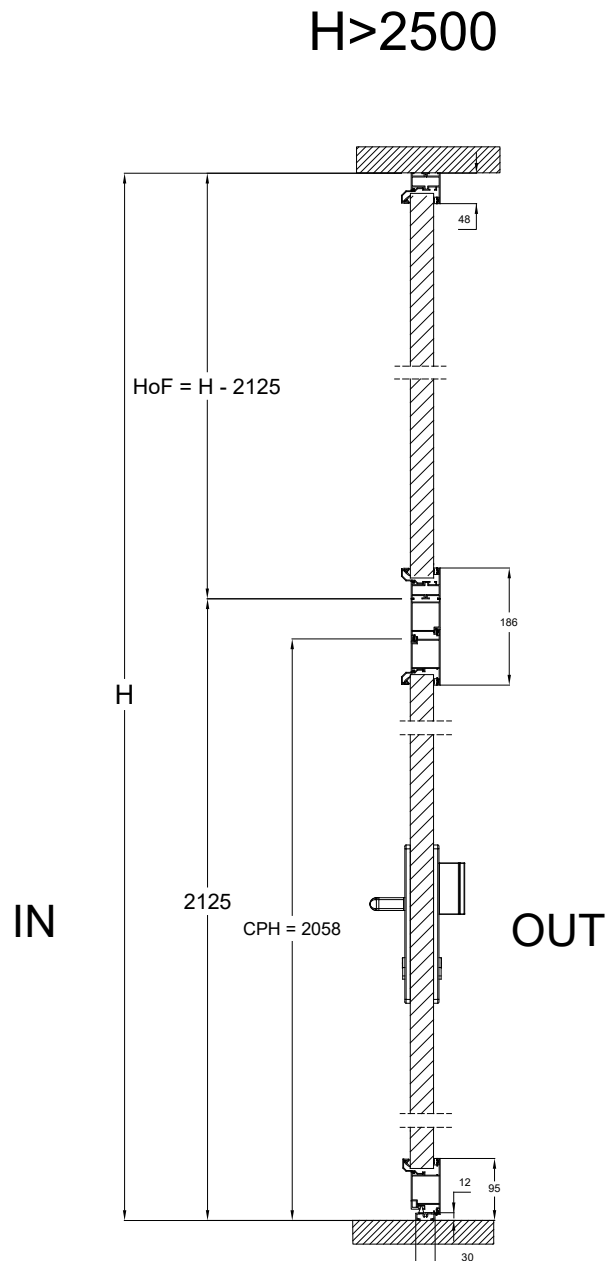
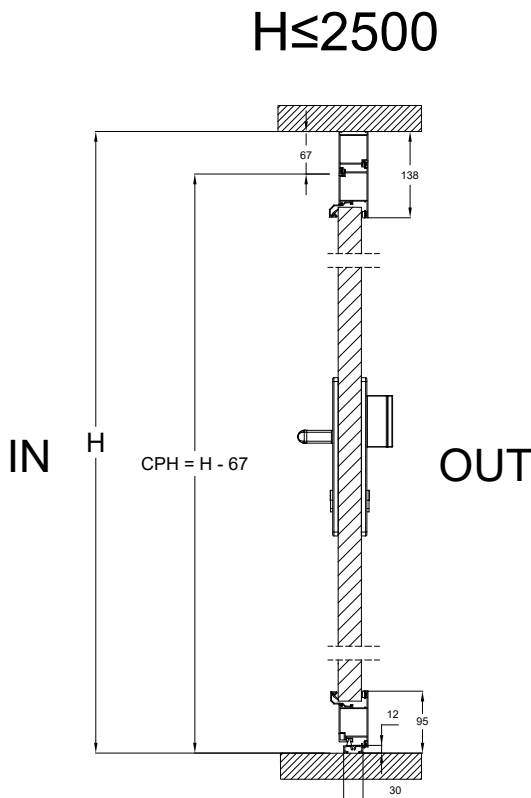
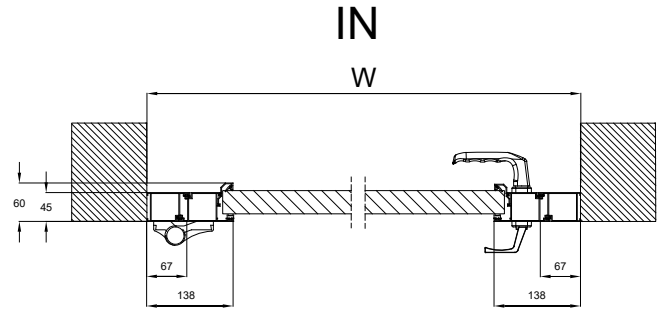
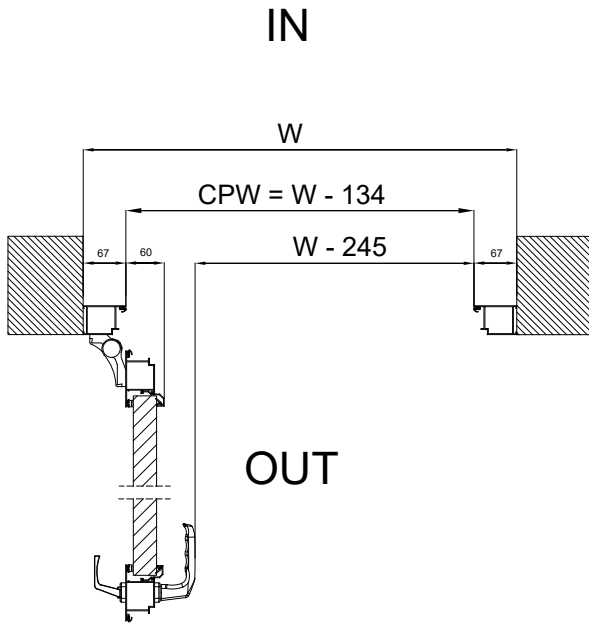
OPTIONS AND ACCESSORIES

Type	Installation	Opening direction	DIN
MD01	in the opening/ behind the opening	outside	right
MD02	in the opening/ behind the opening	outside	left
MD03	in the opening/ behind the opening	inside	left
2LD 04	in the opening/ behind the opening	inside	right

Mandoors are produced according to EXTERNAL frame dimensions, threshold included (see attached drawings)

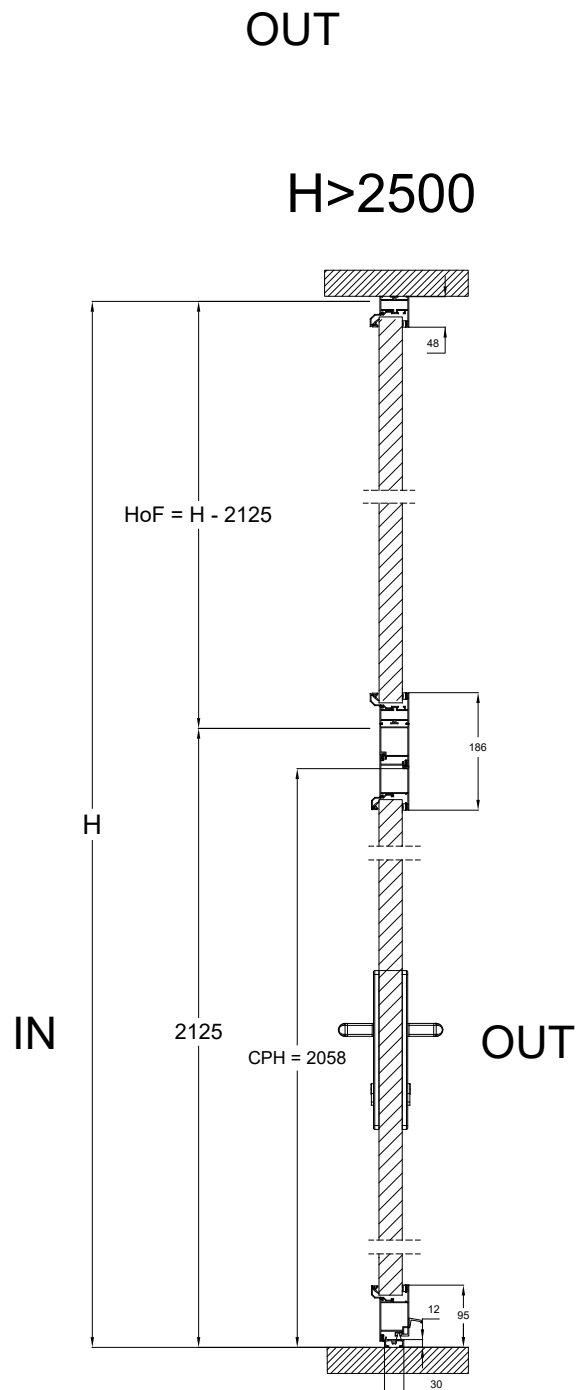
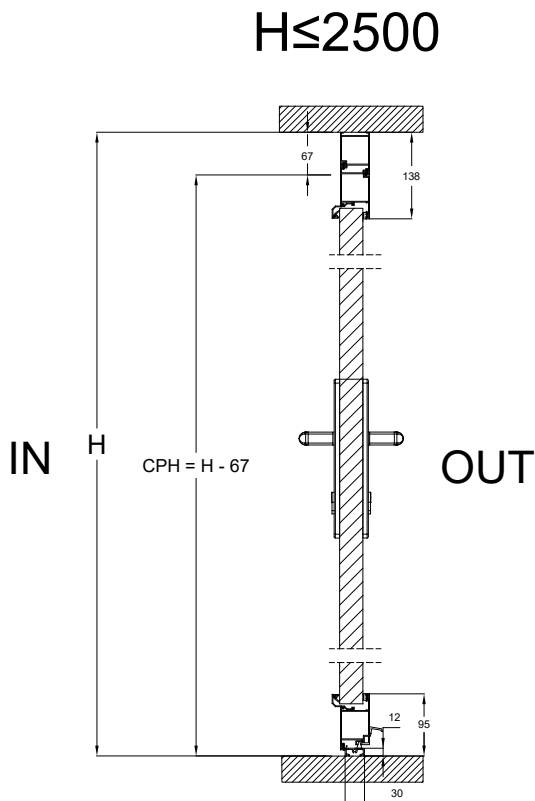
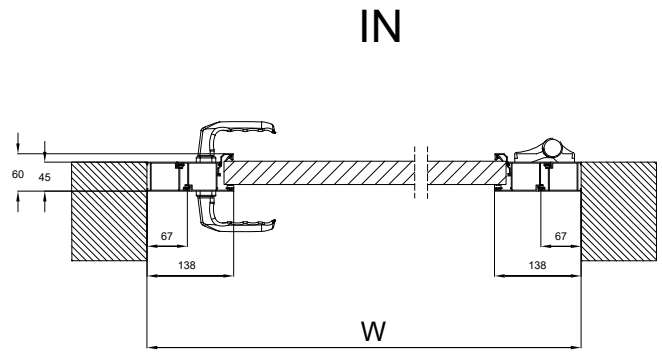
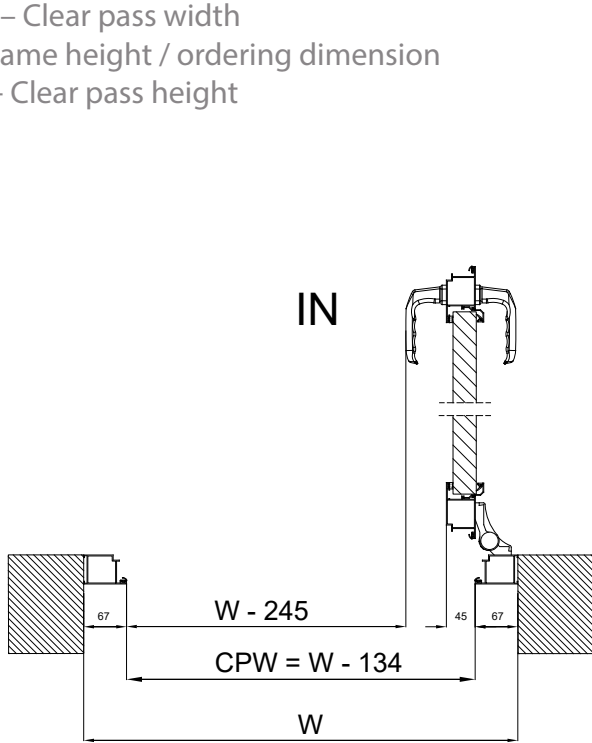
MD NG OUTSIDE OPENING - INSTALLATION IN THE OPENING

W – Frame width / ordering dimension
 CPW – Clear pass width
 H - Frame height / ordering dimension
 CPH - Clear pass height



MD NG INSIDE OPENING - INSTALLATION IN THE OPENING

W – Frame width / ordering dimension
 CPW – Clear pass width
 H - Frame height / ordering dimension
 CPH - Clear pass height



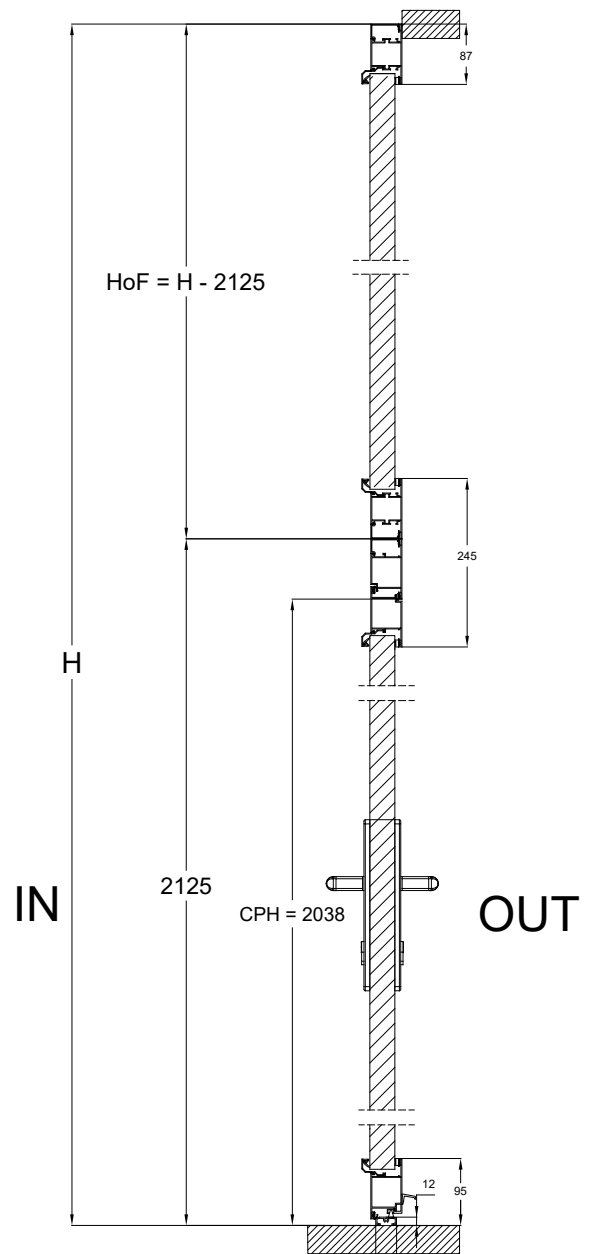
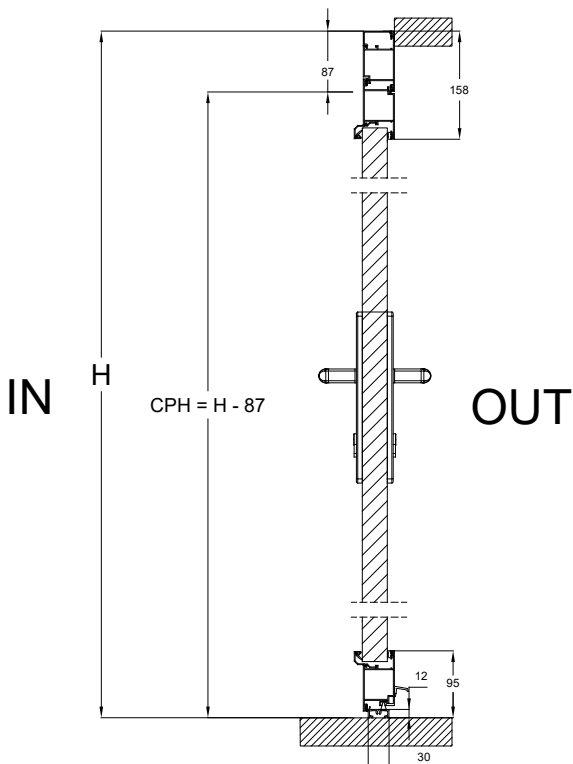
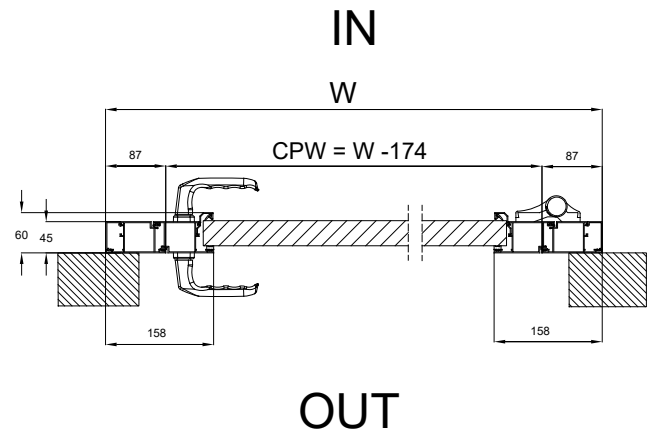
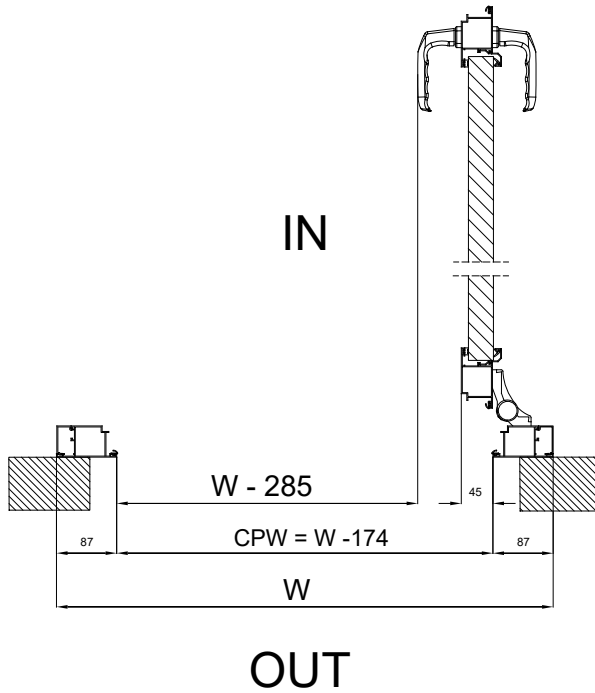
MD NG INSIDE OPENING - INSTALLATION BEHIND THE OPENING

W - Frame width / ordering dimension

CPW - Clear pass width

H - Frame height / ordering dimension

CPH - Clear pass height



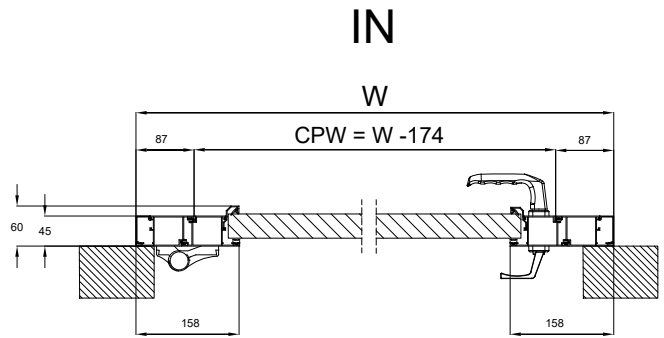
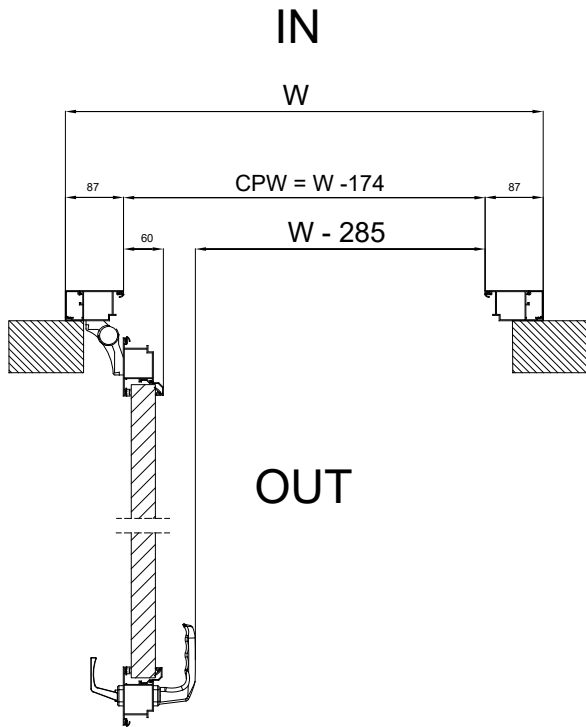
MD NG OUTSIDE OPENING - INSTALLATION BEHIND THE OPENING

W – Frame width / ordering dimension

CPW – Clear pass width

H - Frame height / ordering dimension

CPH - Clear pass height



OUT

